



## Precision Wirewound Potentiometer - 7/8" (22mm)



### FEATURES:

- special resistance tolerances to 1%
- rear shaft extensions and support bearing
- non turn lug
- insulating plastic shaft
- special independent linearity to  $\pm 0.75\%$
- dual gang configuration and concentric shafts
- high torque and center tap
- special markings and front shaft extensions
- servo unit available and slipping clutch

### ELECTRICAL SPECIFICATIONS:

**Resistance range, standard values:** 100  $\Omega$  to 100 K $\Omega$

**Capability range:** 10  $\Omega$  to 200 K $\Omega$

**Standard toll:**  $\pm 5\%$

**Linearity independent:**  $\pm 0.25\%$

**Noise:** 100  $\Omega$  ENR

**Rotation (electrical & mechanical):** 3600° + 10%

**Power rating @ 70°C:** 2.0 watts

**Insulation resistance:** 1000 M $\Omega$  minimum 500 VDC

**Dielectric strength:** 1000 VRMS minimum 60 HZ

**Absolute minimum resistance:** not to exceed linearity x total resistance or 1 $\Omega$ , whichever is greater.

**Tempco:** 20 ppm/°C (standard values, wire only)

**End voltage:** 0.25% of total applied voltage, maximum

**Phasing:** CCW end points - section 2 phased to section 1 within  $\pm 2^\circ$

**Taps:** center tap only

### MECHANICAL SPECIFICATIONS:

**Torque (maximums): starting**

**Section 1:** 0.5 oz - in (36gm - cms)

**Section 2:** 0.9 oz - in (65gm - cms)

**Torque (maximums): running**

**Section 1:** 0.4 oz - in (28.80gm - cms)

**Section 2:** 0.7 oz - in (50.40gm - cms)

**Weight (maximums):**

**Section 1:** 0.75 oz (21.26 gm)

**Section 2:** 1.25 oz (35.44 gm)

**Stop strength:** 1.75 oz - in (static) (5.4Kgm - cm)

**Ganging:** 2 sections maximum

### ENVIRONMENTAL SPECIFICATIONS:

**Vibration:** 15g thru 2000Hz

**Shock:** 50g

**Rotational life:** 1,000,000 cycles

**Load life:** 900 hours

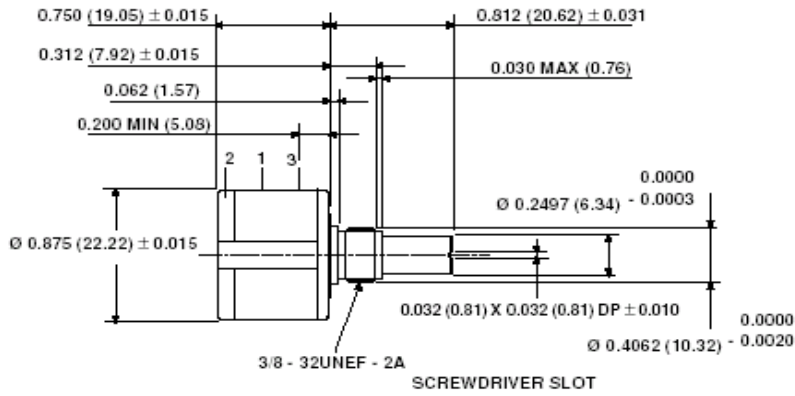
**Operating temperature range:** -55°C to  $\pm 125^\circ\text{C}$

**Moisture resistant salt spray:** 96 hours

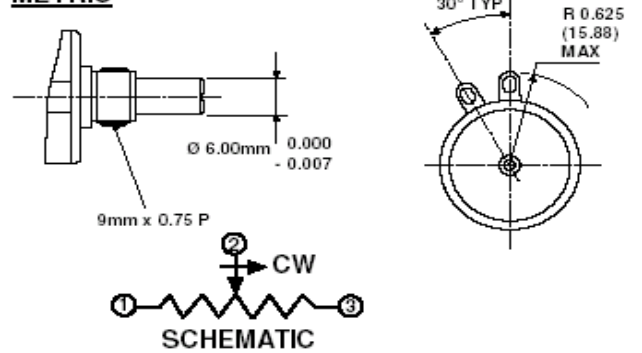


**DRAWING:**

**SINGLE SECTION DIMENSIONS** in millimeters



**METRIC**



Mounting hardware, washer and panel nut, nickel plated